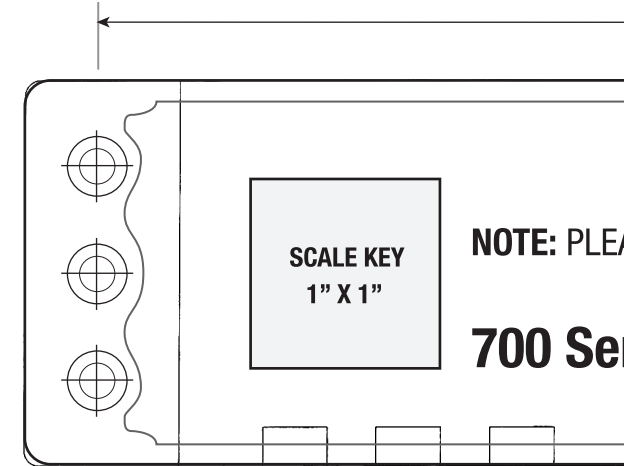
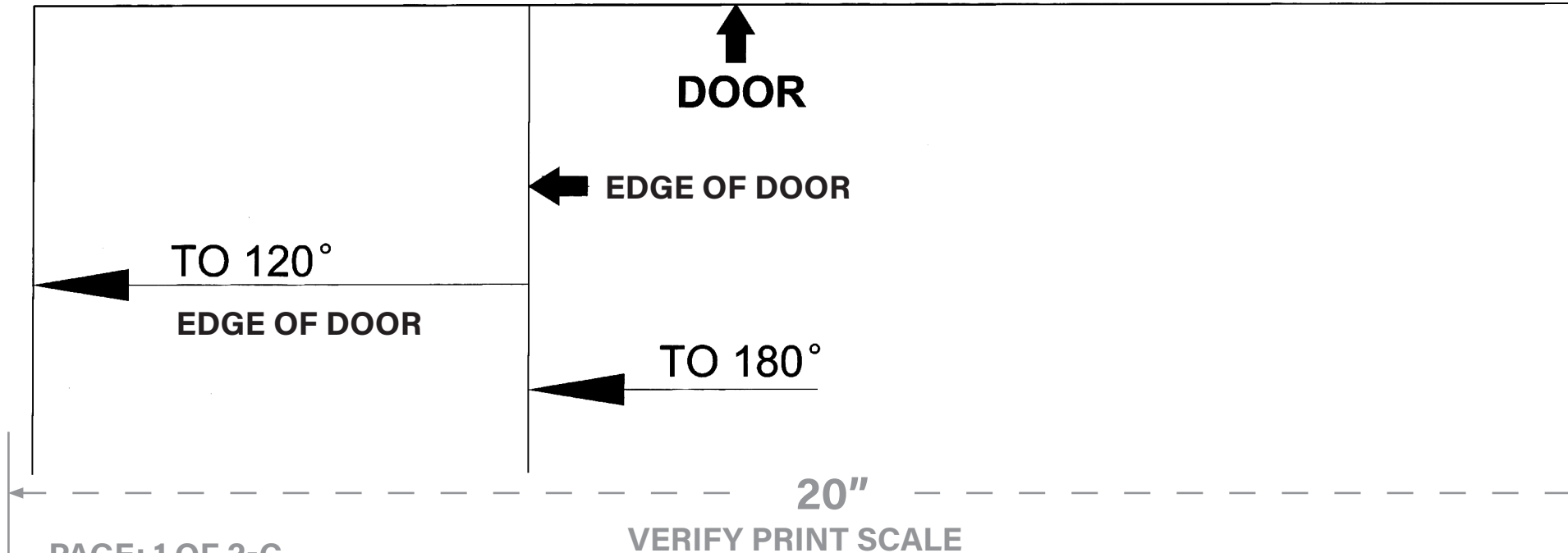


PRINT TEMPLATE AT 100% ON 8 1/2" X 11" - LANDSCAPE

TOP JAMB TEMPLATE ©



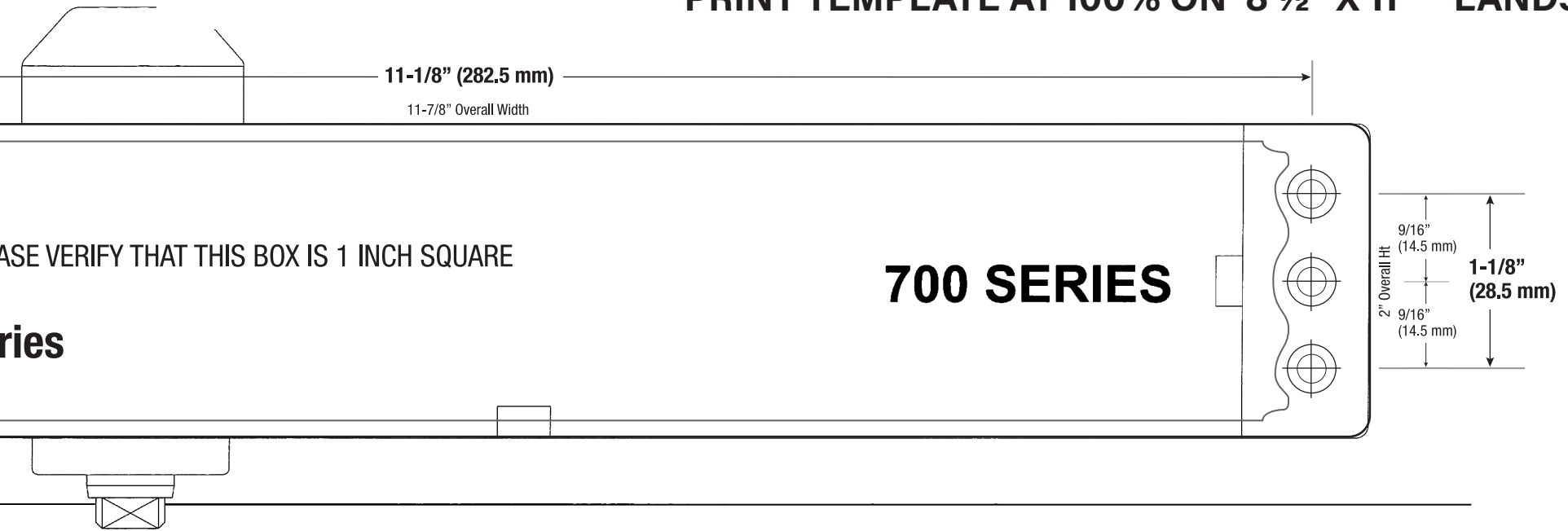
UPPER FRAME



**TOP JAMB TEMPLATE**   
**RIGHT HAND DOOR - PULL SIDE**

**FOR RIGHT HAND DOOR**  
**[FOR LEFT HAND DOOR - FLIP TEMPLATE]**

**PRINT TEMPLATE AT 100% ON 8 1/2" X 11" - LANDSCAPE**



ries



**TOP JAMB TEMPLATE** 