

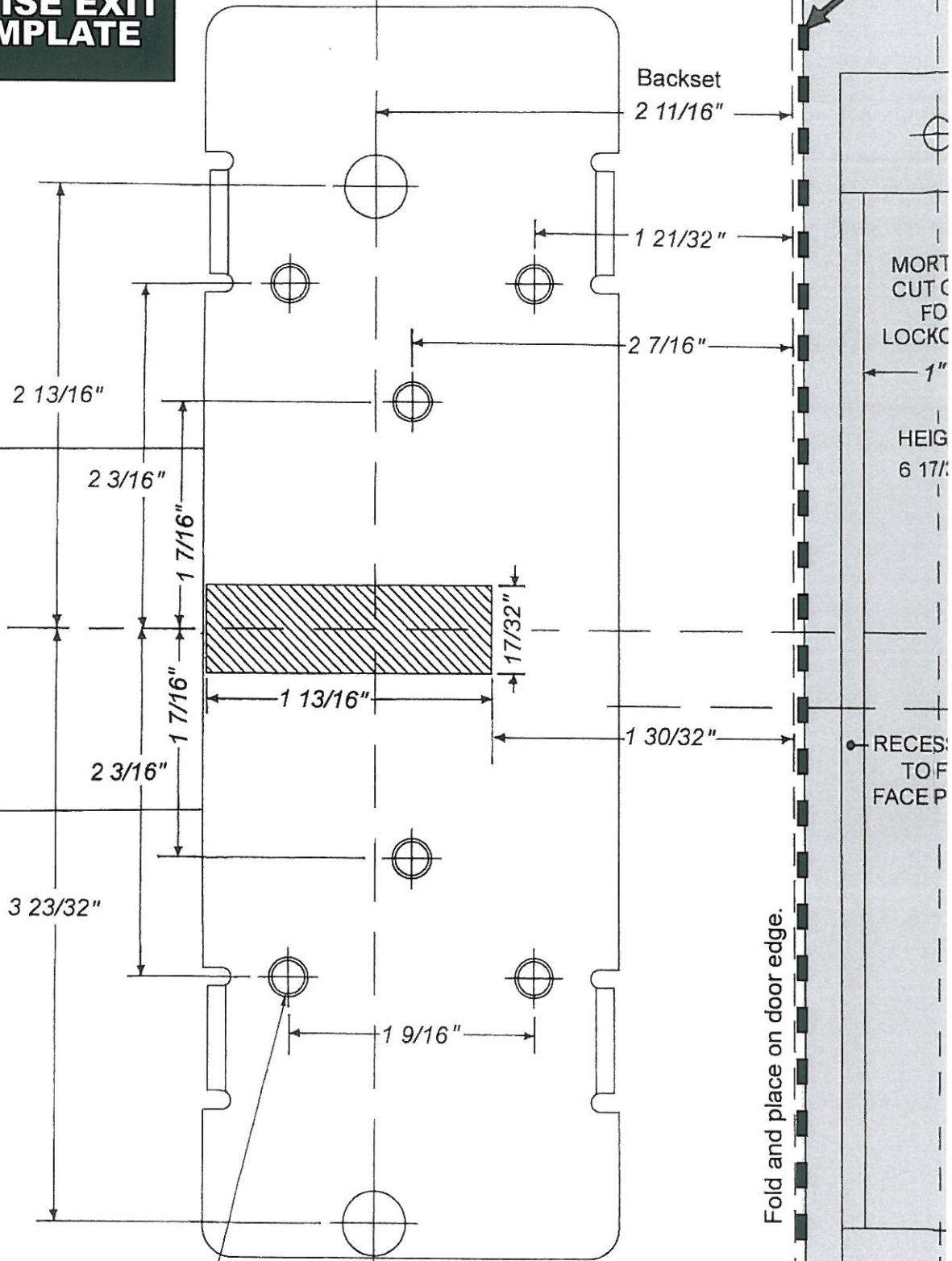
FOR OPPOSITE HAND  
PLEASE SEE REVERSE SIDE

Note :  
This template is for  
thick door. For  
tear off here a  
of lock on  $\phi$  of

**9100 MORTISE EXIT  
DEVICE TEMPLATE**

**PRINT INSTRUCTIONS, Page 1 of 4:**

1. PLEASE PRINT ON 8.5" X 11" PAPER
2. AFTER PRINTING, PLEASE VERIFY 1" SCALE ON PAGE 2
3. CUT AT DOTTED LINES, ON PAGES 1 and 3
4. ADJUST THE PAGES ACCORDING TO THE CUT MARKS
5. PLEASE TAPE PAGES TOGETHER FOR INSTALLATION.



INSIDE FACE OF DOOR

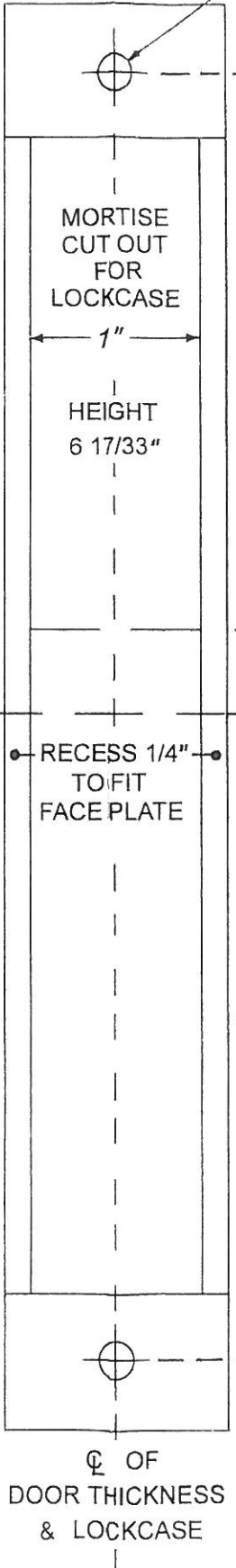
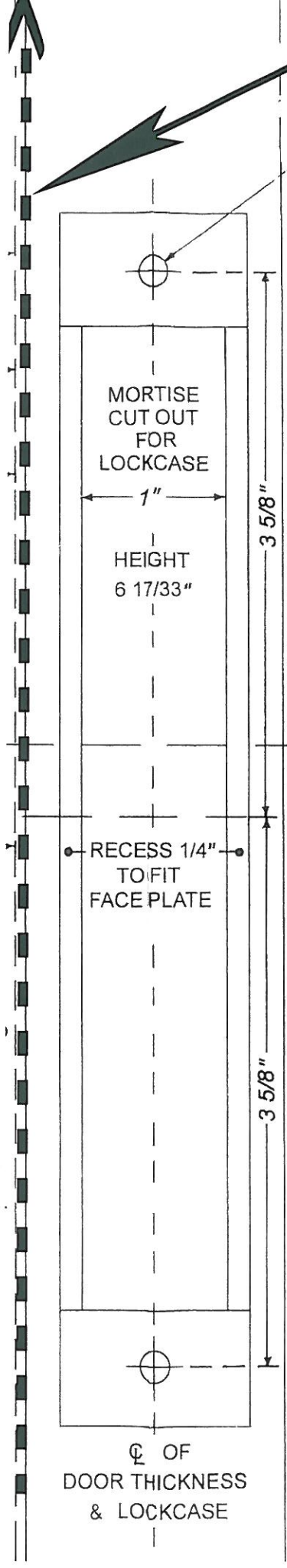
**CUT - OUT IS FOR  
DEVICE SIDE ONLY**

9100 MORTISE EXIT DEVICE TEMPLATE w/ OPTIONAL  
TEMPLATE for 9100 ESCUTCHION TRIM



**Note:**  
This template is for a 1-3/4" thick door. For thicker doors, tear off here and locate  $\phi$  of the lock on  $\phi$  of the edge of the door

#12-24 Tap



**SCALE KEY**  
**1" X 1"**

**NOTE: AFTER PRINTING, PLEASE VERIFY THAT THIS BOX IS 1 INCH SQUARE**

15/32"

Backset  
2 11/16"

3 9/32"

3 1/4"

1 23/32"

2 1/8"

3/8" DIA. THRU HOLE FOR MOUNTING POST

1 1/2" DIA. CYLINDER HOLE

**9100 ESCUTCHEON TRIM  
RIGHT HAND DOOR**

DEVICE  $\phi$

MORTISE LOCK  $\phi$

31/32" DIA. LEVER HOLE

3/8" DIA. THRU HOLE FOR MOUNTING POST

Match With Vertical Line Drawn On Door

**OUTSIDE FACE OF DOOR**

# 9100 MORTISE EXIT DEVICE TEMPLATE

**Tell**  
 Manufacturing, Inc. #12-24 Tap  
 800-433-4047  
 www.tellmfg.com

This template is for 1 3/4" thick door. For thicker door tear off here and locate of lock on  $\phi$  of edge of door

3/8" DIA. THRU HOLE FOR MOUNTING POST

Backset 2 11/16"

**PG 3 OF 4**

1 1/2" DIA. CYLINDER HOLE

MORTISE CUT OUT FOR LOCKCASE

HEIGHT 6 17/33"

2 1/8"

3 9/32"

DEVICE  $\phi$

15/32"

MORTISE LOCK  $\phi$

RECESS 1/4" TO FIT FACE PLATE

1 23/32"

3 1/4"

31/32" DIA. LEVER HOLE

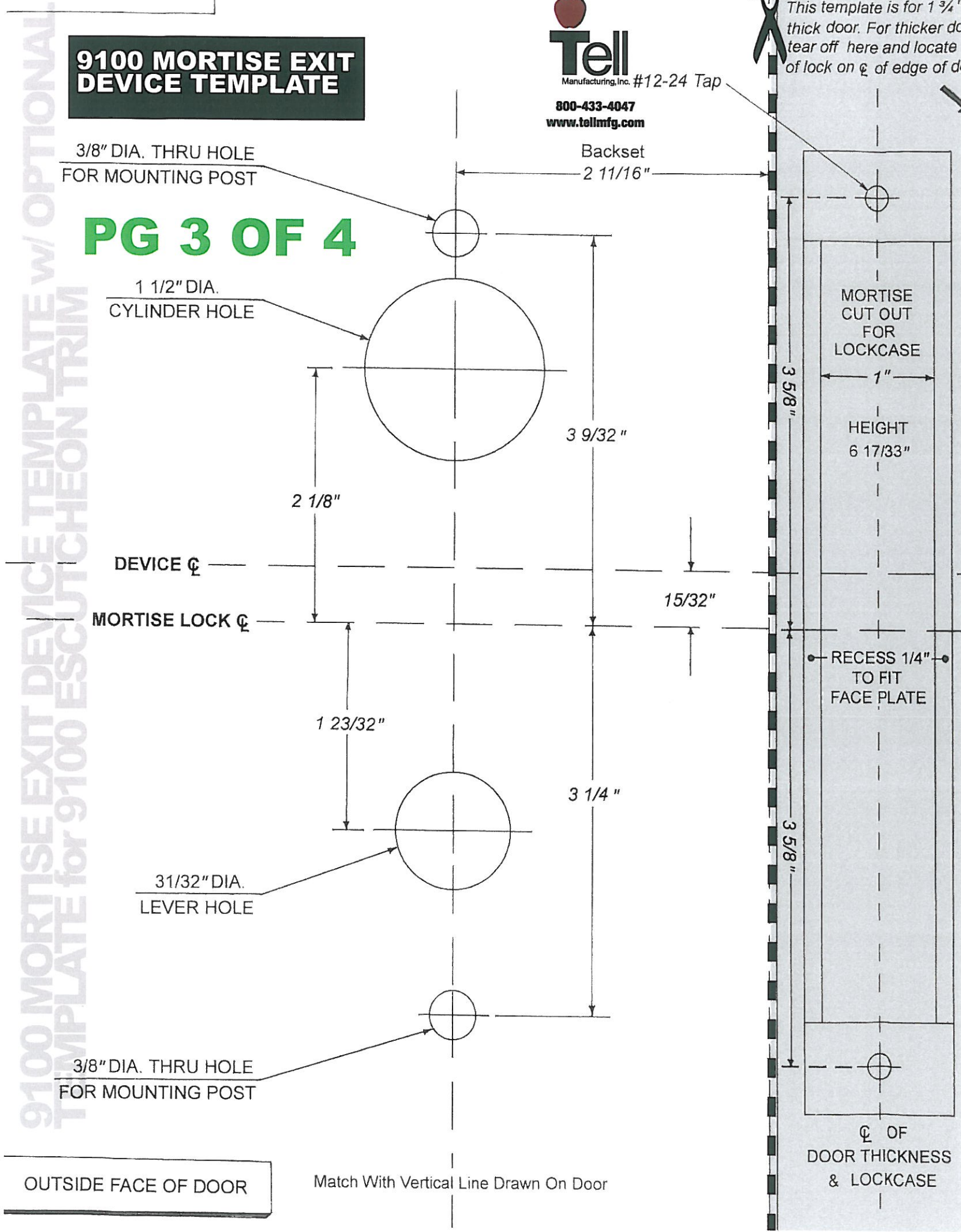
3/8" DIA. THRU HOLE FOR MOUNTING POST

$\phi$  OF DOOR THICKNESS & LOCKCASE

OUTSIDE FACE OF DOOR

Match With Vertical Line Drawn On Door

9100 MORTISE EXIT DEVICE TEMPLATE w/ OPTIONAL TEMPLATE for 9100 ESCUTCHEON TRIM



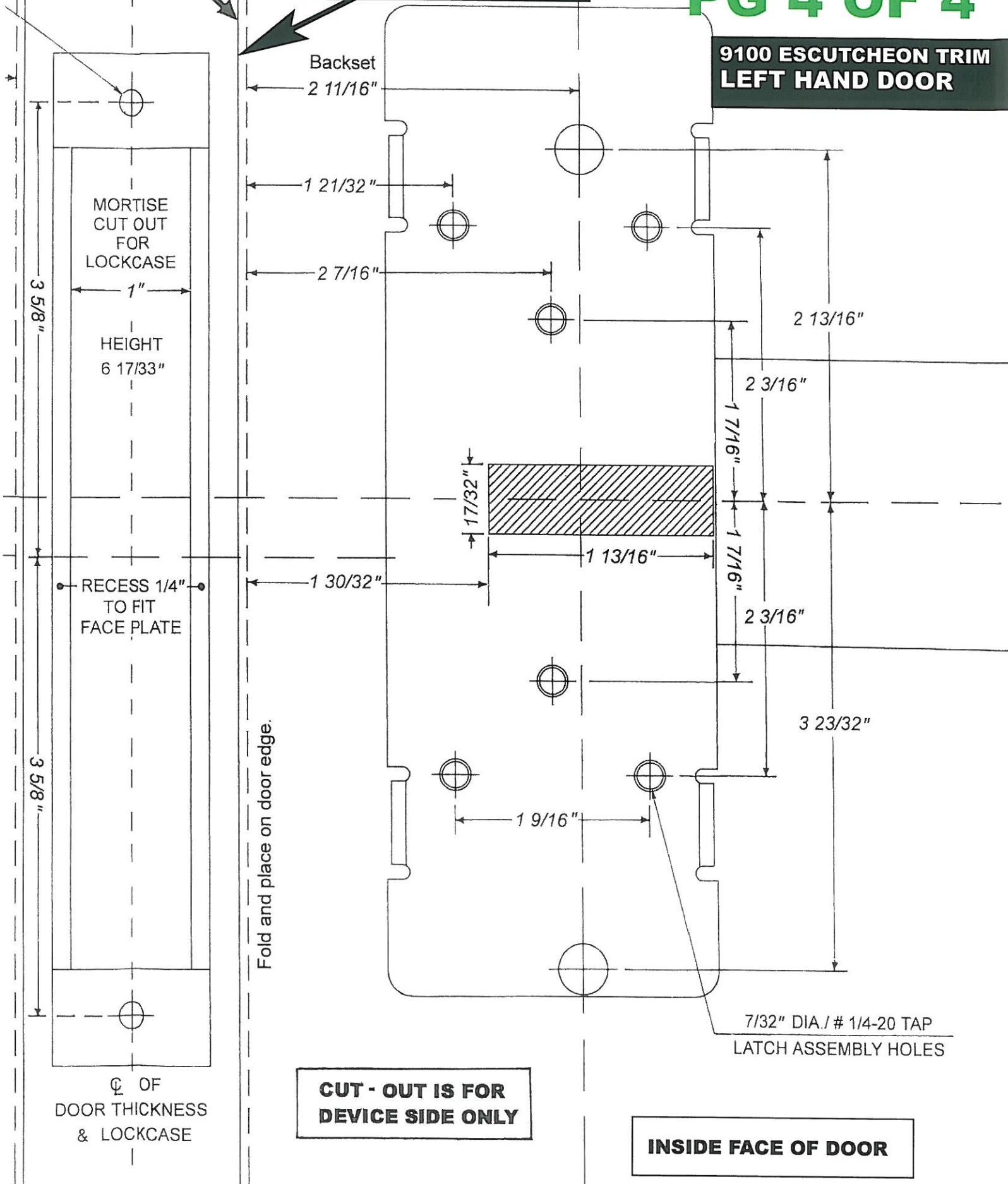
This template is for 1 3/4" thick door. For thicker doors tear off here and locate  $\phi$  of lock on  $\phi$  of edge of door.

This template is for a 1-3/4" thick door. For thicker doors, tear off here and locate  $\phi$  of the lock on  $\phi$  of the edge of the door

FOR OPPOSITE HAND  
PLEASE SEE REVERSE SIDE

# PG 4 OF 4

## 9100 ESCUTCHEON TRIM LEFT HAND DOOR



**CUT - OUT IS FOR  
DEVICE SIDE ONLY**

**INSIDE FACE OF DOOR**