



INSTALLATION INSTRUCTIONS FOR LE2000/KE2000 ELECTRONIC KEYPAD LOCK

Featuring SmartKey Technology™ with an SC1 Keyway

Tools Required

- Ruler
- Phillips screwdriver

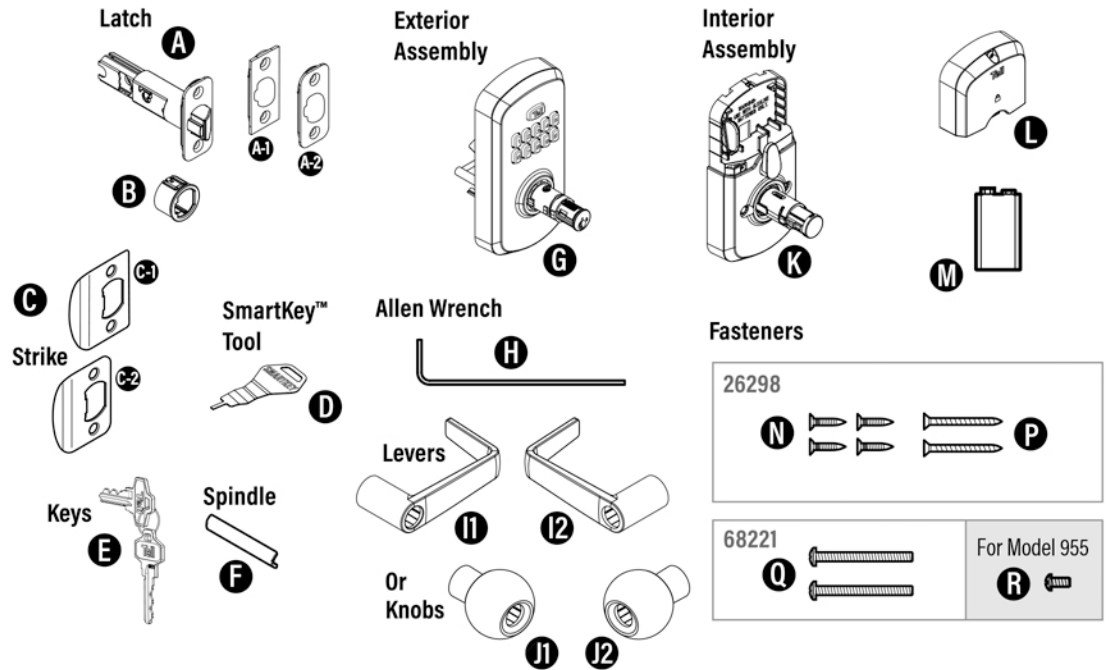
Additional Tools
(depending on application)

- Hammer
- Wood block
- Flathead screwdriver



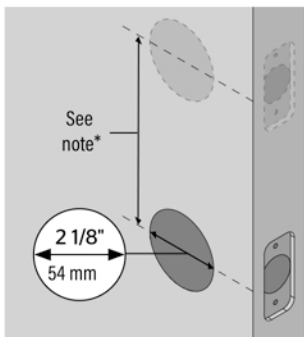
* **DO NOT** use a power drill!

Box Contents

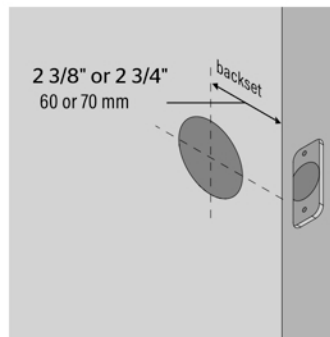


1. Prepare the Door and Check Dimensions.

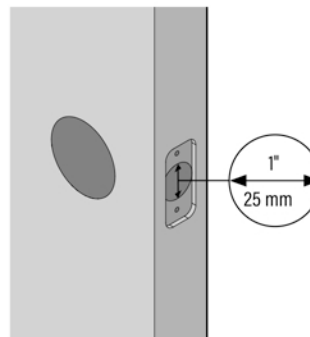
- 1.1** Measure to confirm that the hole in the door is 2 1/8" (54 mm).



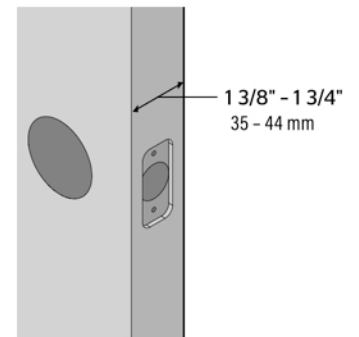
- 1.2** Measure to confirm that the backset is either 2 3/8" or 2 3/4" (60 or 70 mm)



- 1.3** Measure to confirm that the hole in the door edge is 1" (25 mm).



- 1.4** Measure to confirm that the door is between 1 3/8" and 1 3/4" (35 or 44 mm)

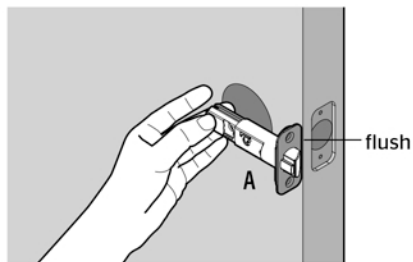


***Note:** If you are installing this lever/knob below an existing lock or you plan to install a lock above this lever/knob, make sure that the distance between holes is at least 6 1/2" (165 mm)

For a 2" Thick Door Extension Kit (CL103937) contact Tell Customer Service at 1-800-433-4047.

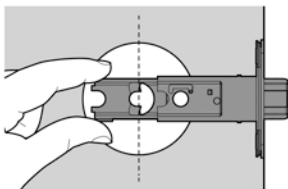
2. Install the Latch and Strike.

- 2.1** Hold the latch in front of the door hole, with the latch face flush against the door edge.

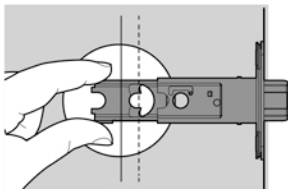


- 2.2** Check to see if the latch hole is centered in the door hole as pictured. If yes, proceed to step 2.4. If no, continue to step 2.3.

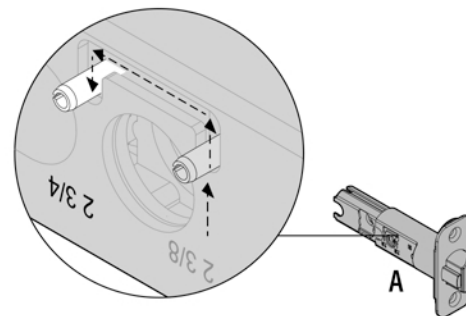
Yes, holes centered



No, holes not centered

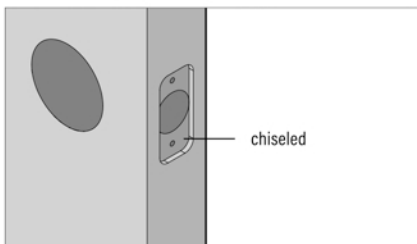


- 2.3** If latch holes are NOT centered in the door hole, move the pin to the 2 3/4" position to extend the latch.

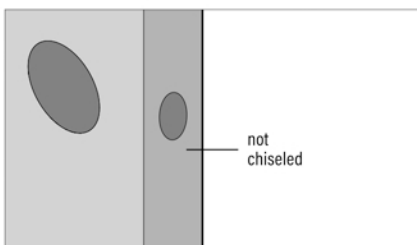


- 2.4** Check to see if the door edge is prepped for latch.

Go to Step 2.5.

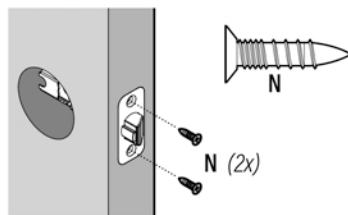
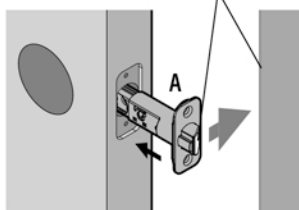


Go to Step 2.6.

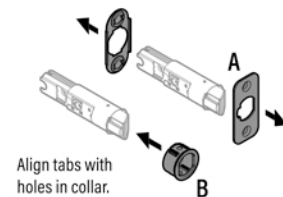


- 2.5** If door edge is chiseled, install latch in door with supplied screws "N". **Note:** The slant of the latch bolt should face the door frame. If the door edge is chiseled, skip Step 2.6.

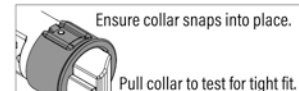
⚠ slant of latch bolt faces door frame



- 2.6** If it's not chiseled, use a flathead screwdriver to lift tabs on the rectangular face to remove it from latch. Install drive-in collar.



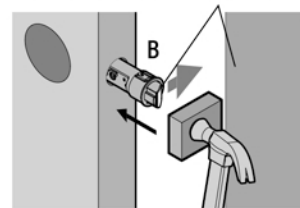
Align tabs with holes in collar.



Ensure collar snaps into place.

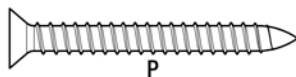
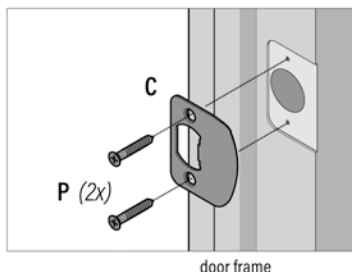
Pull collar to test for tight fit.

⚠ slant of latch bolt faces door frame



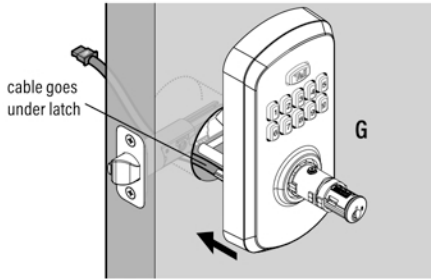
Install latch in door with wood block and hammer.

- 2.7** Install strike on the door frame using screws "P". **Note:** If door frame is metal, use screws "N".

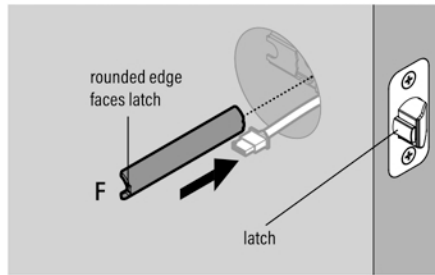


3. Install the Exterior Keypad, Spindle, and Interior Assembly.

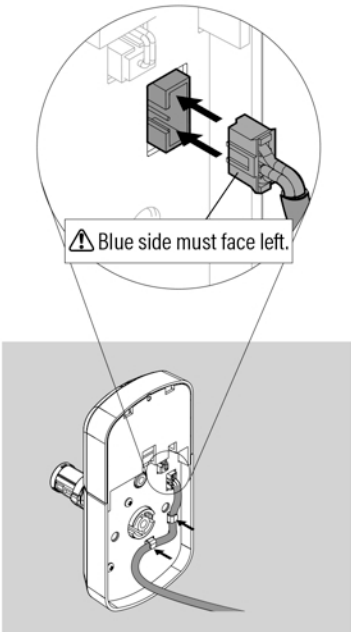
- 3.1** Install the **exterior** keypad, running the cable under the latch.



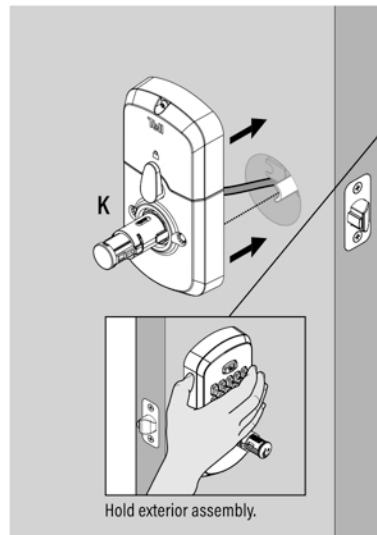
- 3.2** To engage latch, install the spindle with the rounded edge facing the latch.



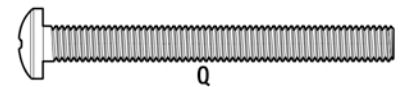
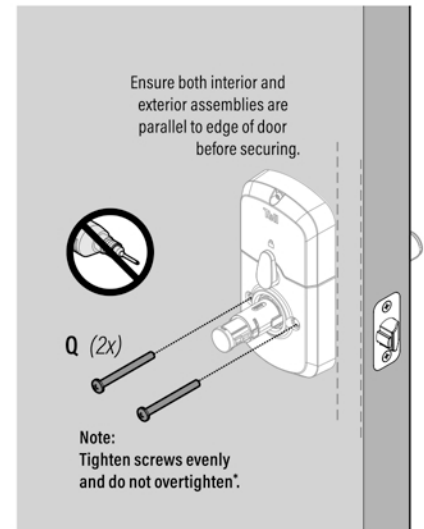
- 3.3** Connect and secure cable to **interior** assembly, routing the cable through the clips. Ensure a tight cable connection.



- 3.4** Install **interior** assembly while holding the **exterior** assembly. Make sure the spindle fully engages with the interior assembly.



- 3.5** Secure interior assembly with mounting screws "Q", ensuring that both interior and exterior assemblies are parallel to the edge of the door.

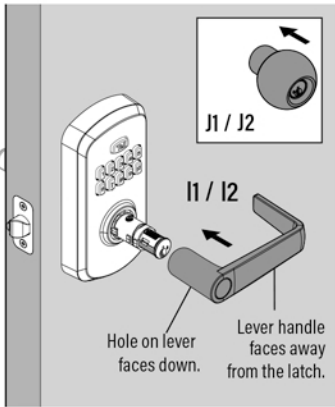


***DO NOT** use a power drill!

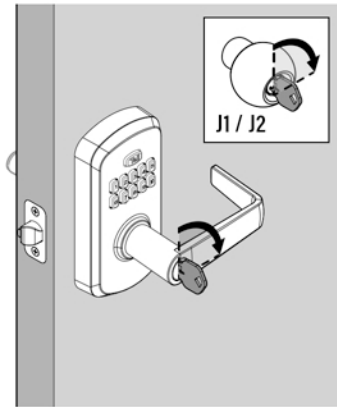
4. Install Levers/Knobs

4.1 Install exterior lever/knob.

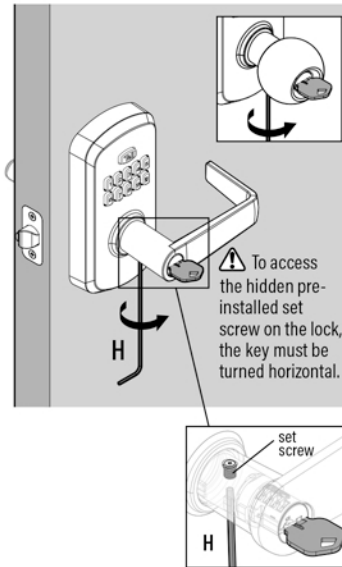
Exterior Lever/Knob



4.2 Insert key and turn 90° clockwise to access hidden pre-installed set screw.

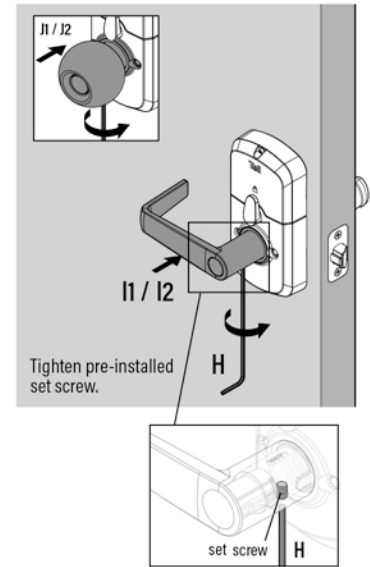


4.3 Tighten pre-installed set screw to secure exterior lever/knob. Turn key back to vertical position and remove.



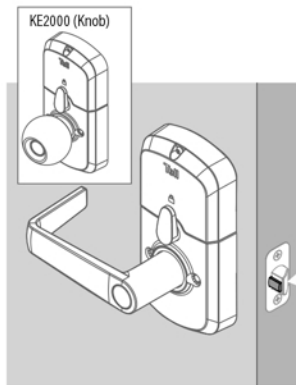
4.4 Install and secure interior lever/knob. Tighten pre-installed set screw.

Interior Lever/Knob

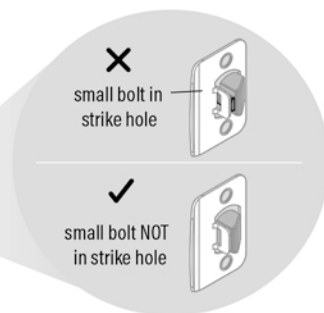


5. Test Latch Operation

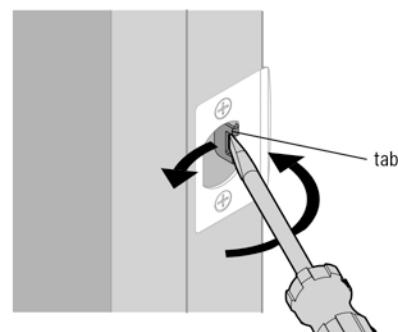
5.1 Close door, test latch operation and make adjustments as needed:



5.2 The small bolt of the latch should not enter the strike hole. If it enters the strike hole, reposition strike.

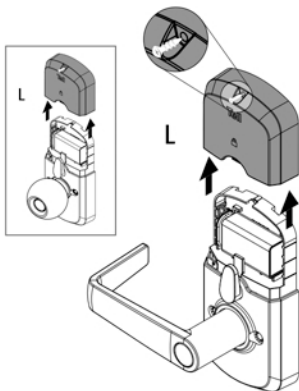


5.3 If latch is loose in the strike, adjust the strike tab so it grips the latch bolt better when the door is closed.

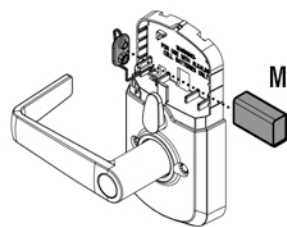


6. Install Battery

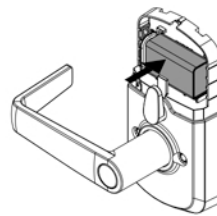
6.1 Remove interior cover "L" by unscrewing the set security screw and sliding the cover up.



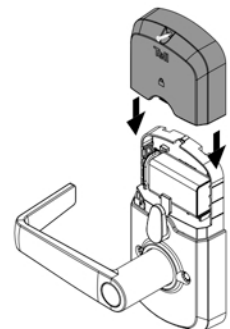
6.2 Connect 9V battery "M".



6.3 Secure battery into interior assembly.



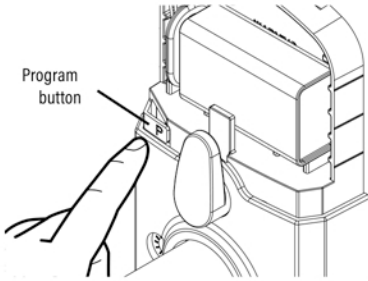
6.4 Reinstall battery cover and tighten set security screw.



7. Add User Codes

Note: Move swiftly during programming. If no digit is pressed for 10 seconds, the system will time out and you will need to restart the procedure.

- 7.1** Make sure the door is open. Press and release the Program button. You will hear two beeps.



- 7.2** Press 1. You will hear one short beep and the keypad will flash green once.



- 7.3** Press Tell



- 7.4** Enter a User Code. It must be between 4 and 8 digits.



- 7.5** Press Tell (Figure 7.3)



For security reasons, the first 4 digits of each user code must be unique. For example, you cannot program a user code **1-2-3-4-5** as well as a user code **1-2-3-4-6**.

- 7.6** You will hear one long beep and the keypad will **flash green** if successful. If you hear three beeps and the keypad **flashes red**, it was unsuccessful. Repeat from step 7.1.

Once programming is complete, slide battery cover back in place and secure with the security screw.*



***DO NOT** use a power drill!

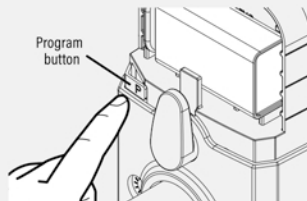
8. OPTIONAL: Enable / Disable Programming Code

- 8.1** Programming Code enables you to make changes without needing to access the Program button. This is ideal for landlords to allow programming from the outside, without access to the interior Program button.

Please note that once a Programming Code is enabled, the Program button is disabled and can be used only to factory reset the lock.

- 8.2** Make sure the door is open. If you have not enabled a Programming Code, press and release the Program button. You will hear two beeps.

If you have enabled a Programming Code, enter your Programming Code, then press **Tell**. You will hear one short beep and the keypad will flash green.



- 8.3** Press 3. You will hear one short beep and the keypad will flash green.



- 8.4** Press Tell.



- 8.5** Enter a Programming Code. It must be between 4 and 8 digits. The Programming Code cannot be the same as any user code.



- 8.6** Press Tell. (Figure 8.4)

- 8.7** Re-enter Programming Code. (Figure 8.5)

- 8.8** Press Tell. (Figure 8.4)

You will hear one long beep and the keypad will flash green if successful. If you hear three beeps and the keypad flashes red, it was unsuccessful. Repeat from step 8.1.

9. Test the Lock and Review Lock Functionality

Unlocking the Door with a User Code

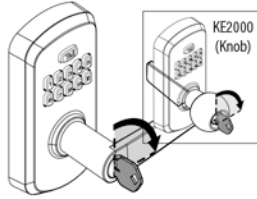
Confirm that the code(s) added in step 7 can unlock the door. Enter user code. The lock will beep twice to indicate that it unlocked.

Tip: You can press the **Tell** button before entering your user code to light up the keypad at night.



Unlocking the Door with a Key

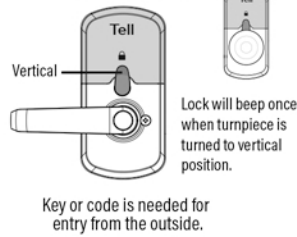
To unlock using a key, turn the key clockwise to the horizontal position then turn the lever/knob to open the door.



To remove the key, turn the key back to the vertical position.

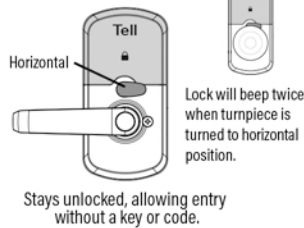
Turnpiece Functions - Choosing a Mode

Auto-lock mode



Key or code is needed for entry from the outside.

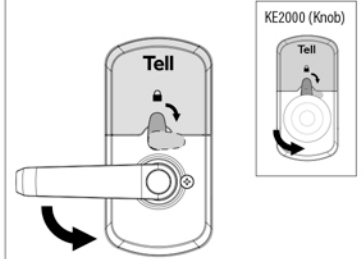
Passage mode



Stays unlocked, allowing entry without a key or code.

Emergency Egress

The interior lever/knob of this lock will always open the door when turned, regardless of whether it is locked or unlocked. This is to allow for a safe and easy exit in case of emergency.

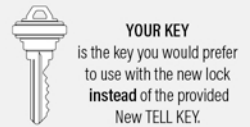


This completes the installation. For more detailed programming, refer to the Programming Instructions.

Smartkey Security Rekeying Technology

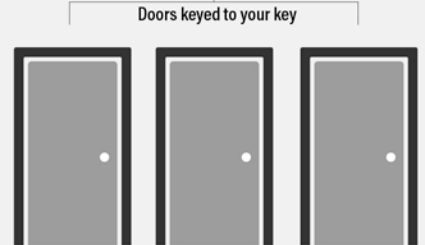


There may be times when you buy a new lock and want the new lock to work with your existing keys. **Smartkey Security Rekeying Technology** makes that easy. *As long as your existing key is an original factory cut SC1 type key**, your new Tell LE2000/KE2000 can be rekeyed to your key in seconds.



*IMPORTANT

- Always remove the lever/knob before you rekey and rekey with the door open to avoid getting locked out.
- AVOID using copied-cut key in this rekeying process as their quality and accuracy cannot be guaranteed and can lead to unsuccessful rekeying.
- This lock will only work with SC1 type 5-pin keys.
- A Kwikset KW1 Keyway will not work with this product.



Re-Key the Lock in Seconds (if desired)

1. First, remove the lever/knob before you rekey. Insert the new **TELL Key** and turn clockwise 90 degrees until the keyhole is in the horizontal position as shown below.
2. While the Tell Key is still inserted, push the **Rekeying Tool** completely into the small hole and remove the tool and then the **TELL Key**.
3. Now insert **Your Key** that you would like to use into the keyhole. Turn the key counter-clockwise 90 degrees to return back to the vertical position. The lock is now rekeyed to **Your Key**. Reattach lever/knob.

